

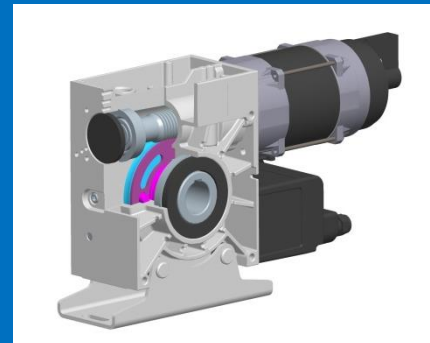
- Integral Anti-drop device
- Interlocked Hand Crank System
- Absolute Encoder Limit
- Integral Thermal Protection
- 30mm Hollow shaft
- I.P. 54 Environment Protection
- Rolled worm shaft
- High starting Torque Industrial Duty Motor
- Horizontal or vertical mounting
- 5m Pre-wired motor and limit cable

The MTZ range of rapid rolling door operators is available with a range of inverter control panels.

A full range of access and safety control devices can be provided to enable optimum control of the door.

For further details contact our sales department

Integral Anti-drop device



Absolute Encoder



Hand Crank

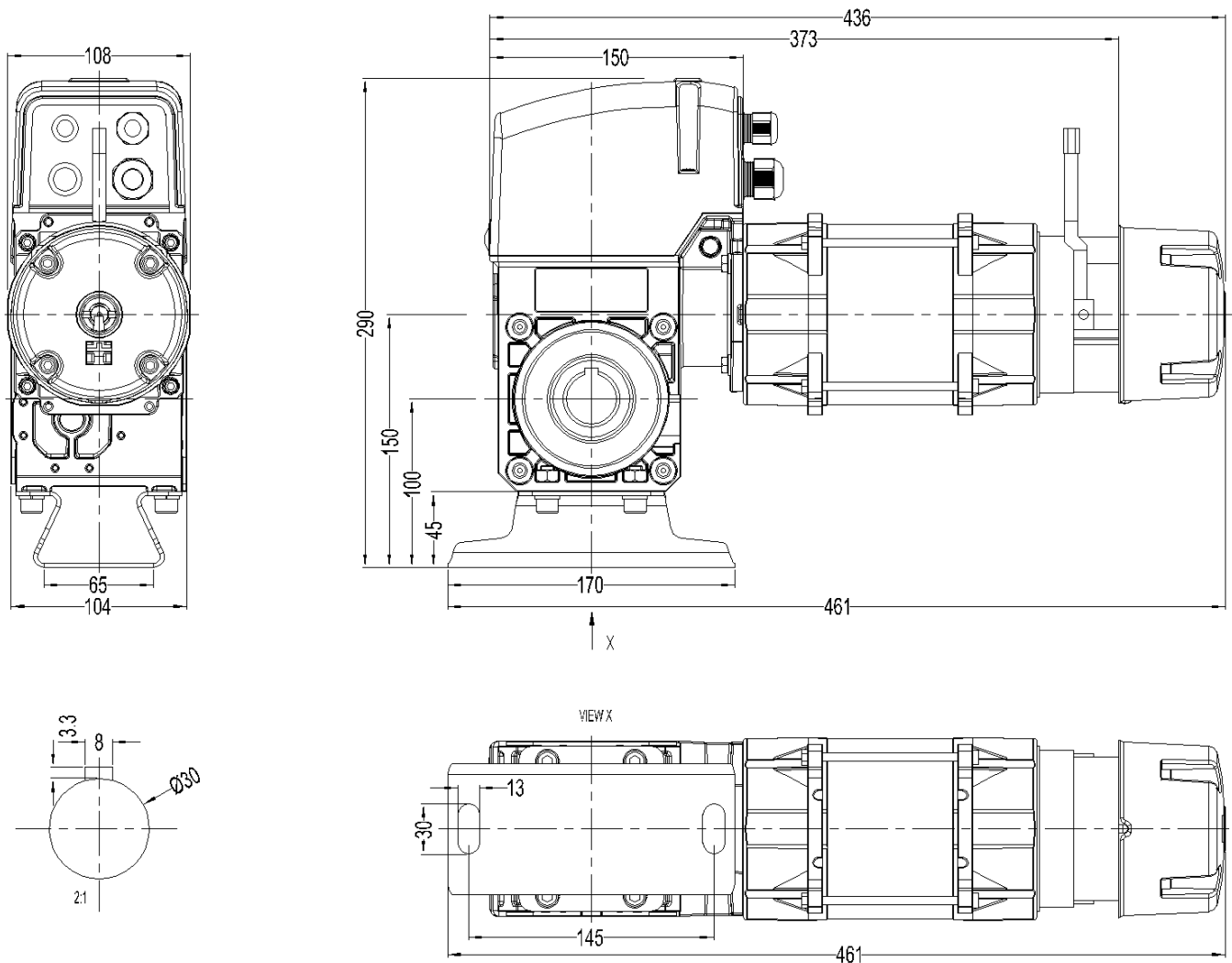


MTZ 05 Operators

The MTZ operators are designed for high-speed rolling doors and have an integral Anti-drop device to assist in compliance with BS EN 12604. The units are supplied as standard with a mono foot with integral rubber bushes to absorb slight misalignment in the door shaft. The operator can be mounted either horizontally or vertically. The operators are supplied with a 5m pre-wired cable. Integral thermal trip and Absolute Encoder limits are provided as standard.

In the event of mains power failure, the interlocked hand crank enables emergency manual operation.

Our standard MTZ 05 range is shown here, however other variations are available on request.



Technical Information

MODEL	Torque Nm	Speed rpm	Power Kw	Power Supply	Current Ratings amps	Limit Travel Turns	Standard Temp Range °C	Weight Kg
MTZ-05-4-135	40	135	0.75	230/3/50	4.1	13	-20/+60	15